



Ethernet (M12) Series Etherplug Receptacles

4 & 8 Conductor Ethernet Series Receptacles



PCB Mount & PCB Back Mount Receptacles | 250 Volt, 4 amps | IP67 Rating

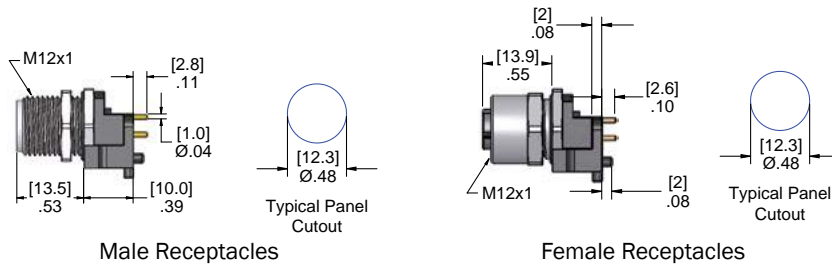


# of Poles	Male Faceview	Rating	Style	Male Receptacles	Female Receptacles
4 D-Coded	<p>M12 x 1</p>	250V 4A	Front Mount Straight	MDE45-4MR-PCB	MDE45-4FR-PCB
			Front Mount Right Angle	MDE45-4MR-PCB-R	MDE45-4FR-PCB-R
			Back Mount	MDE45-4MR-BM-PCB	MDE45-4FR-BM-PCB
8 A-Coded	<p>M12 x 1</p>	250V 4A	Front Mount Straight	MDE45-8MR-PCB	MDE45-8FR-PCB
			Front Mount Right Angle	MDE45-8MR-PCB-R	MDE45-8FR-PCB-R
			Back Mount	MDE45-8MR-BM-PCB	MDE45-8FR-BM-PCB

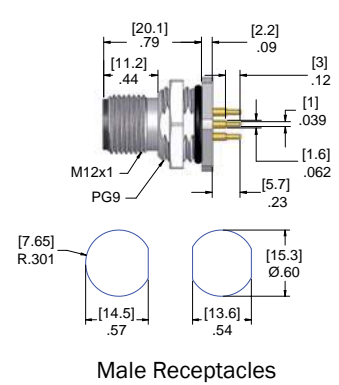
Ethernet Series

L

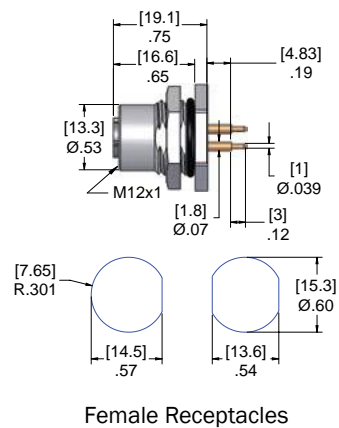
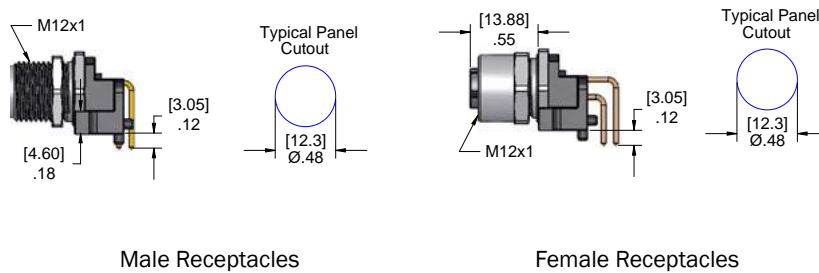
PCB Receptacles



PCB Back Mount Receptacles



PCB Receptacles Right Angle



Specifications:

- Body: Polyamide
- Contacts: Copper Alloy with Gold Plating
- Shell: Nickel Plated Brass
- O-Ring: NBR
- Jam Nut: Nickel Plated Brass
- Temperature: -40°C to 105°C (-40°F to +221°F)